

SEIFERT

ERESCO 65 MF4

Portable air-cooled 300 kV X-ray generator with 3 mm focal spot

The ERESKO 65 MF4 is a very reliable, portable 300 kV industrial X-ray generator also for use outdoors in the field and under challenging environmental conditions.

The ERESKO 65 MF4 offers a material penetration of up to 65 mm steel with 10 minutes exposure time.*

The X-ray tube head consists of a sturdy metal-ceramic X-ray tube and high voltage generator integrated into a rugged compact housing. The air-cooled 300 KV/ 900 W end-grounded X-ray tube is thermally protected for extended life.

The high voltage generator generates high-stability constant potential voltage at higher efficiency than conventional line frequency equipment.

The performance of the X-ray tube and the high voltage generator is continuously monitored for protection and operational safety. An on-board real time clock facilitates fully automatic warm-up routines for optimized and time-saving tube conditioning. The flexible connecting cable is heavy-duty and light weight.

The ERESKO series can also be controlled by PC or laptop and is compatible with the Waygate Technologies software Rhythm Insight RT.

* When the focus-film distance is 700 mm (27.5"), 65 mm (2.56") Fe penetration and AGFA STRUCTURIX D7 film with blackening 2.0

Additional Features

- Rugged construction with proven reliability
- Extended operating range from 5 kV to 300 kV enables flexible use
- Gas insulated high voltage section reduces size & weight
- End-grounded, Be-window, metal-ceramic X-ray tube
- DC voltage operation
- Modern power electronics provides high stability
- On-board real time clock supports fully automatic warm-up
- Large 40° × 60° emergent beam
- Optimized air-flow cooling for efficient heat dissipation
- 100 % duty cycle at 30° Celsius (86° F)
- Built-in fail-safe warning lamp
- CE certification according to EMC and Low Voltage Directives
- French Standard NFC 74 100 compliant
- BfS certification (PTB approval)
- Water / dust resistant in accordance with protection class IP65
- Produced under ISO 9001 certified quality management system

Standard Delivery Scope

ERESCO generator unit from high voltage generator and X-ray tube or optionally as a system with "ERESCO MF4 Control" control unit

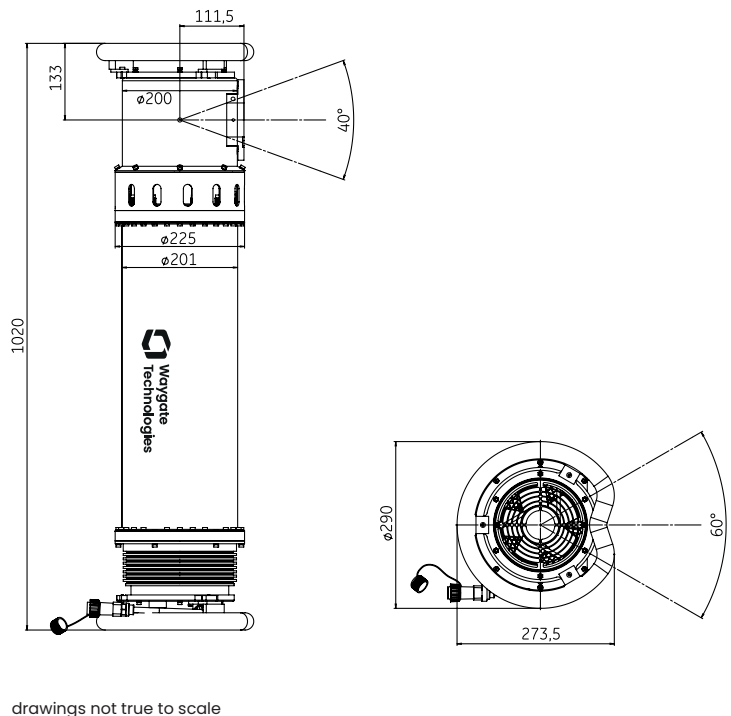
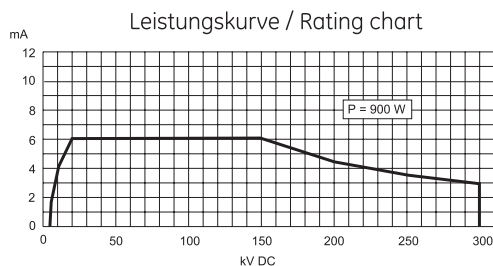
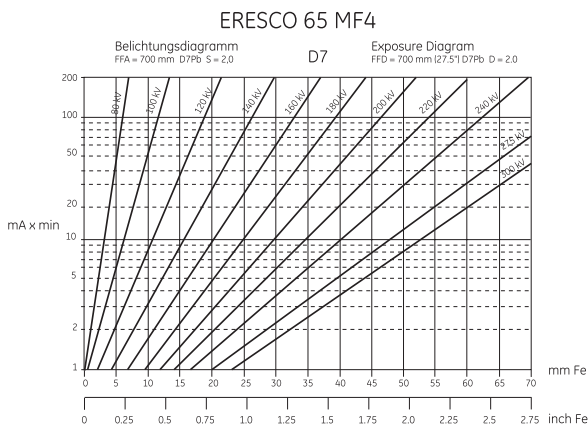


Technical Data

X-ray tube type	300 kV metal-ceramic with Tungsten (W) anode
kV range	5 - 300 kV (acc. to rating chart)
Target angle	20°
Inherent filtration	0.8 mm ± 0.1 mm, Be
Emergent beam	40° × 60°, elliptical
Focal spot size (EN 12 543)	3.0 mm (~1.5 IEC 336)
Tube current	0.5 - 6 mA (3.0 mA /300 kV)
Anode temperature, max.	100° C
Current and voltage stability	± 1 %
Continuous rating	900 W
Duty cycle ($\delta_{amb} = 30^\circ \text{C}$)	100 % (up to 60 min continuous operation)
Power input, max.	2.0 kVA
Weight	40 kg (88.2 lbs) 37.5 kg (82.7 lbs) (without rings)
Tube head diameter	290 mm (11.42") 225 mm (7.87") (without rings)
Protection class	IP65
Operating Temperature	-20° C to +50° C
Storage Temperature	-30° C to +80° C

Options

- Carrying cradle
- Diaphragm / collimator attachments
- Laser centering device
- Transport and positioning cart
- Fail-safe flashing warning lamp
- Stands and mounting kits
- Aluminium transport box



Waygate Technologies
Bogenstr. 41 • 22926 Ahrensburg / Germany
Tel.: +49 4102 807 0 • Fax: +49 4102 807 189 • E-Mail: xray.info@bakerhughes.com

Copyright 2020 Baker Hughes Company. This material contains one or more registered trademarks of Baker Hughes Company and its subsidiaries in one or more countries. All third-party product and company names are trademarks of their respective holders.

BHFF30177_EN (09/2020)

Baker Hughes 

waygate-tech.com